
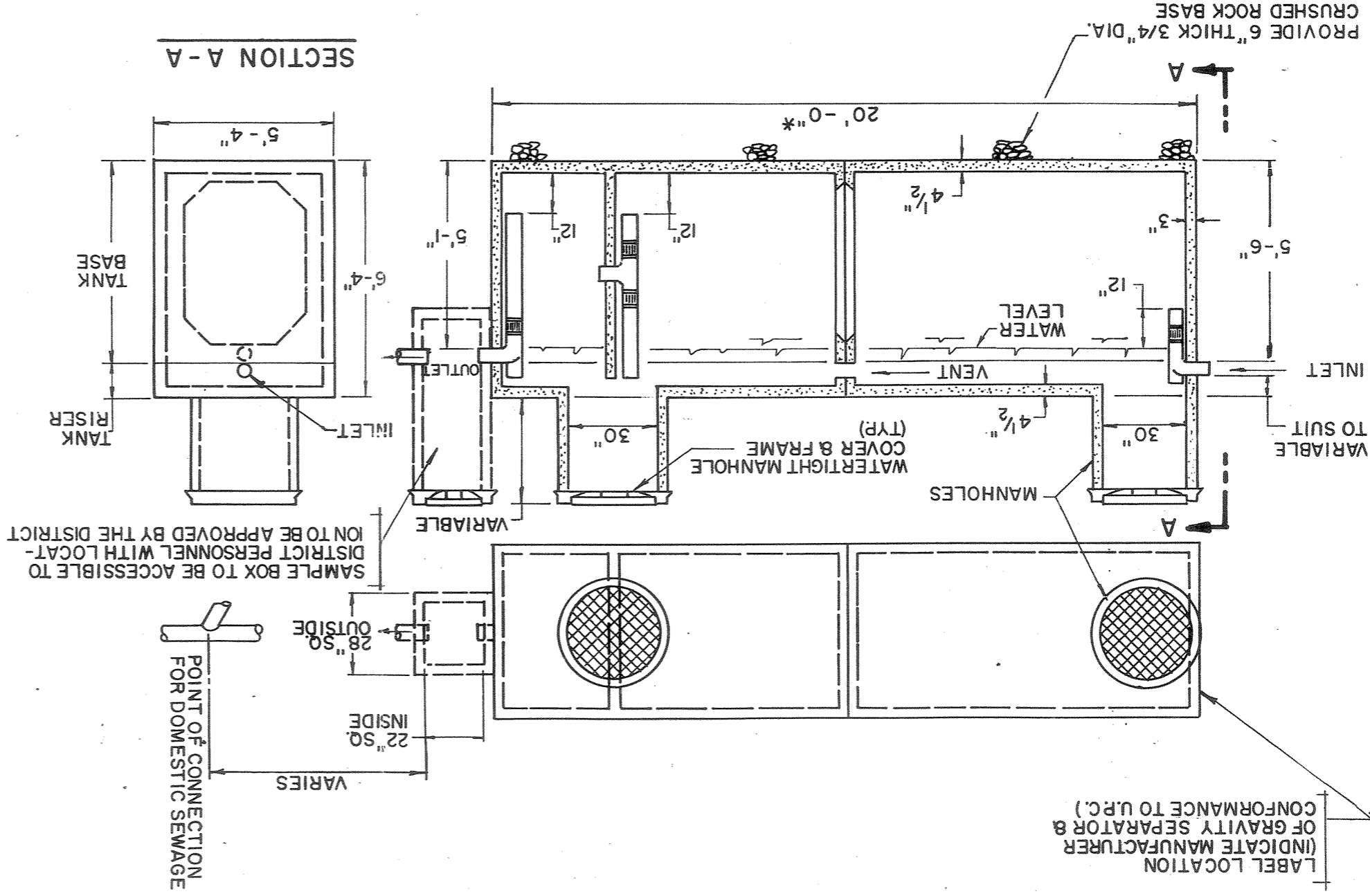


NOTES:

1. DOMESTIC SEWAGE CONNECTION IS TO BE MADE DOWN-STREAM OF GRAVITY SEPARATOR. SAMPLE BOX.
2. PRECAST CONCRETE VAULT INCLUDING TOP AND COVERS TO BE DESIGNED FOR A MINIMUM H-20 TRAFFIC LOADING.
3. ALL PIPE AND FITTINGS TO BE CAST IRON.
4. THE REQUIRED CAPACITY FOR THE GRAVITY SEPARATOR SHALL BE BASED UPON APPENDIX H OF THE UNIFORM PLUMBING CODE.
5.  DELETED

6. WASTE DISCHARGE APPLICANT IS RESPONSIBLE FOR THE PURCHASE, INSTALLATION, OPERATION AND MAINTENANCE OF THE GRAVITY SEPARATOR.
7. APPROVED SUPPLIERS FOR GRAVITY SEPARATOR
 - a. PYRAMID PRECAST CO., INC. RIALTO, CA
 - b. M.C. NOTTINGHAM CO., PASADENA, CA.
 - c. UTILITY VAULT CO., FONTANA, CA.
8. LOCATION OF GRAVITY SEPARATOR IS SUBJECT TO APPROVAL BY DISTRICT.
9. PROVIDE LABEL INDICATING MANUFACTURER OF GRAVITY SEPARATOR AND CONFORMANCE TO U.P.C.



* DIMENSION TYPICAL OF 3000 GALLON CAPACITY GRAVITY SEPARATOR

 DELETE NOTE NO. 5 10/95

JURUPA COMMUNITY SERVICES DISTRICT

DRAWING NO.

GRAVITY SEPARATOR

2000 GAL. TO 3000 GAL.

SCALE: NONE

DATE: AUG., 1990

ALBERT A. WEBB ASSOCIATES
CONSULTING ENGINEERS

RIVERSIDE

RC# 26979

APPROVED
Albert A. Webb

W.O. 89-316

S-20